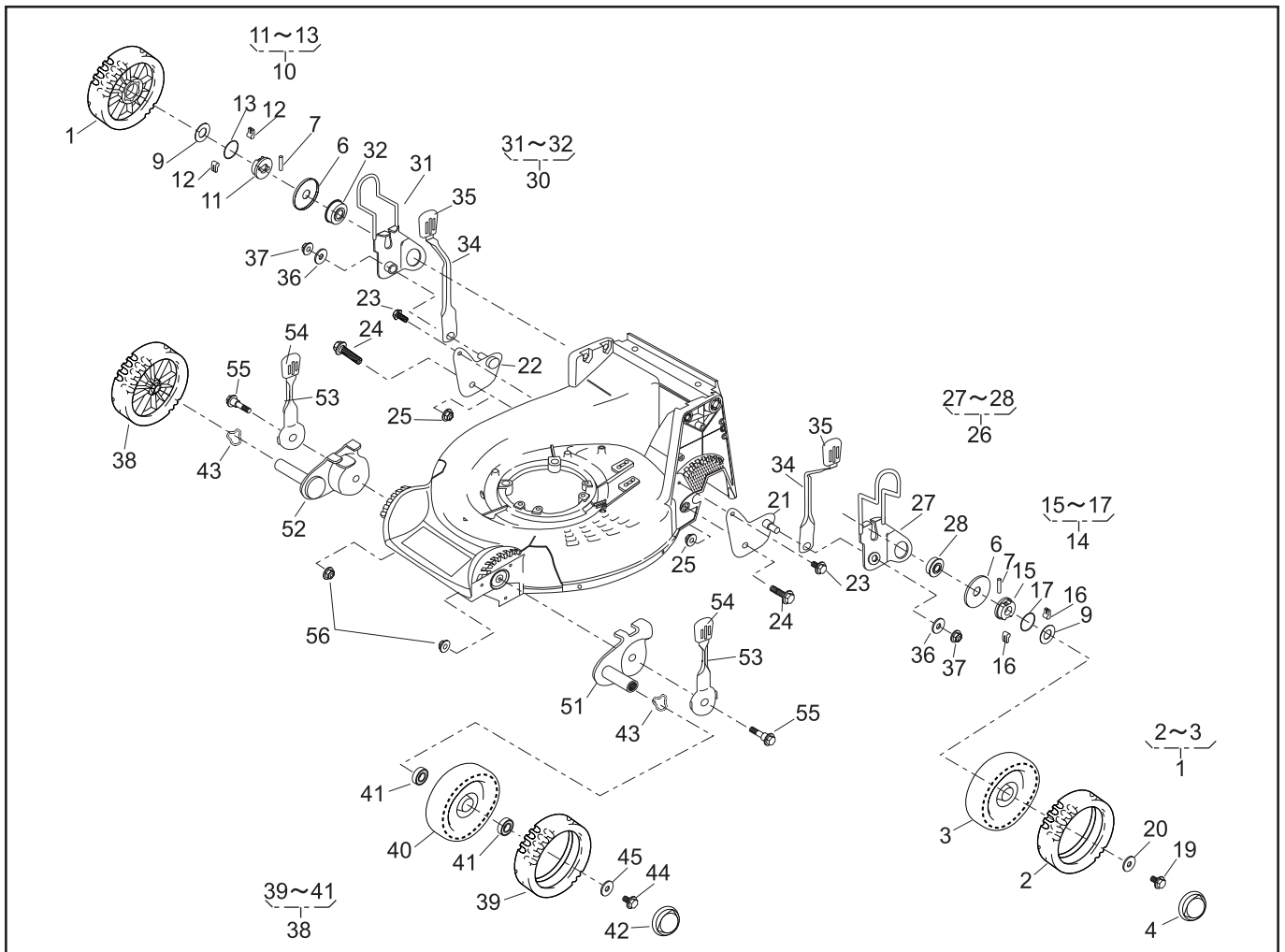




TOSAERBA SARP

SLM-5360HX

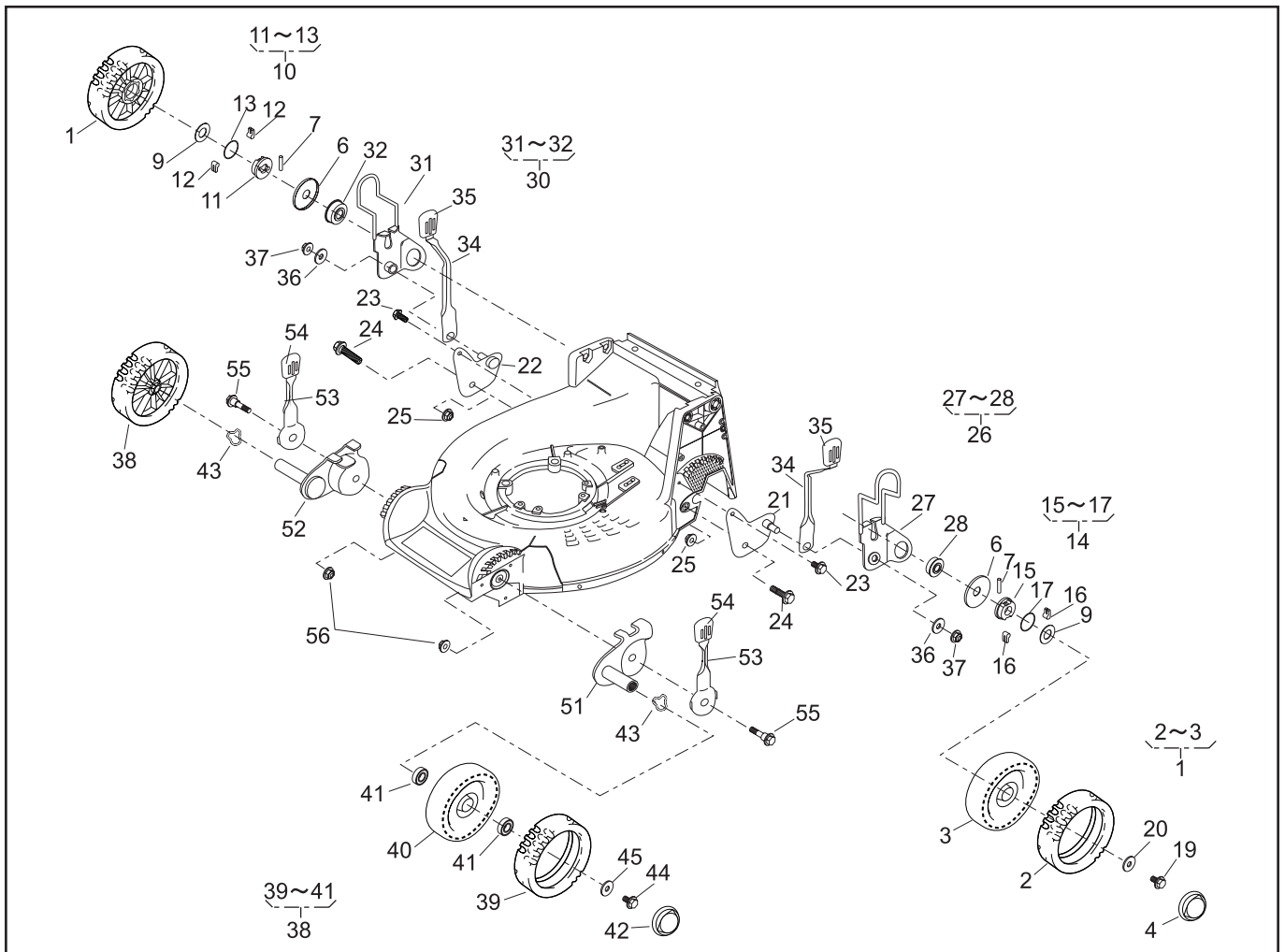
ESPLOSO RICAMBI



PARTS LIST

46014-223

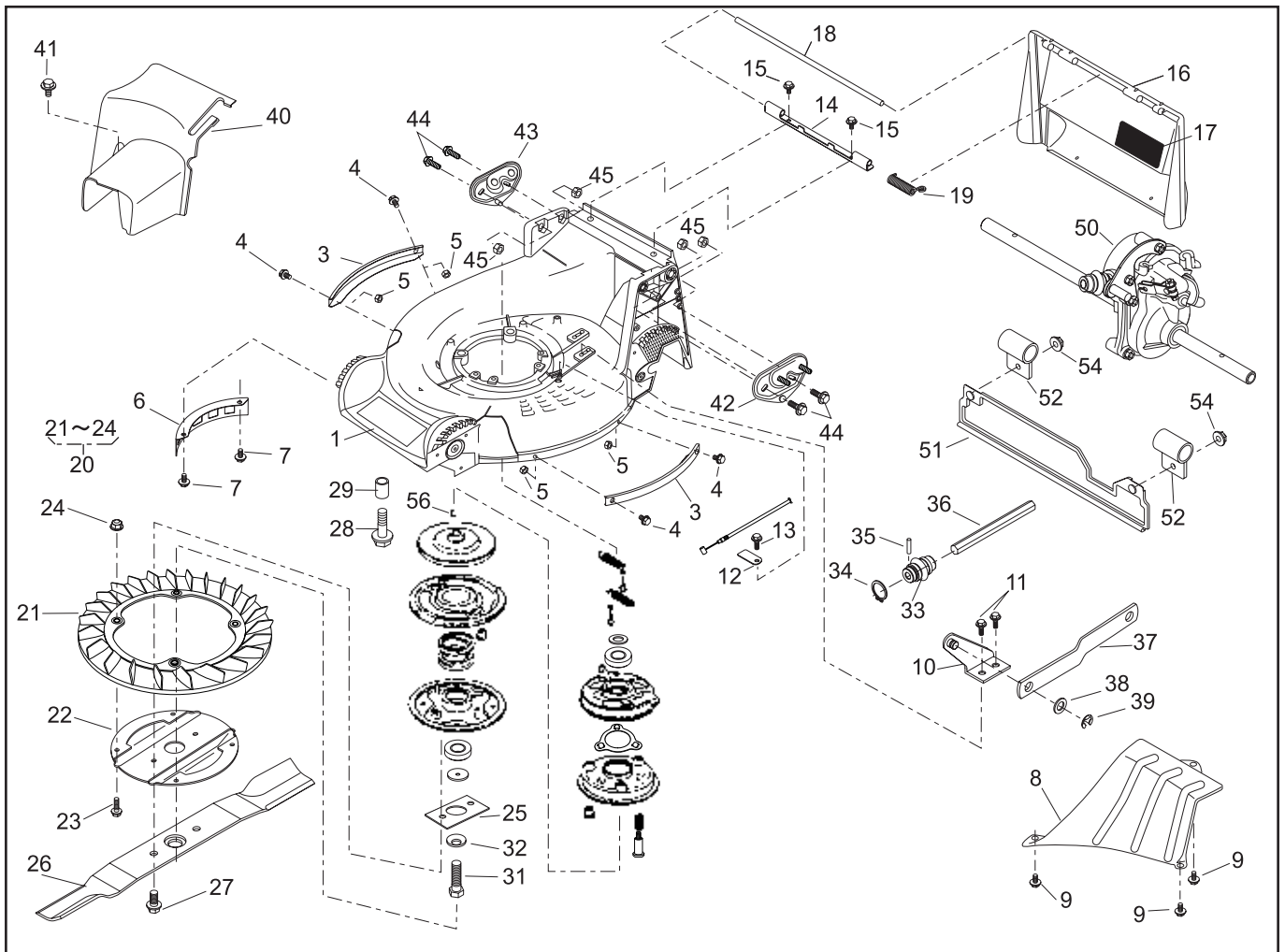
REF. No.	PARTS No.	PARTS NAME	WHEEL			1/2	RECOMM.(%) Lot.100	Feb.07,2005	REMARKS
			Q'TY	PRICE()					
1	71041 112	WHEEL ASSY	2						
2	91086 106	TIRE	2						
3	36107 102	WHEEL	2						
4	36070 110	CAP	2						
5									
6	61003 112	THRUST PLATE	2						
7	31034 137	PIN	2						
8									
9	68036 146	WASHER	2						
10	71158 101	RATCHET ASSY(R)	1						
11	11102 138	HOLDER	1						
12	31034 170	PIN	2						
13	68013 266	SPRING	1						
14	71158 102	RATCHET ASSY(L)	1						
15	11102 138	HOLDER	1						
16	31034 170	PIN	2						
17	68013 266	SPRING	1						
18									
19	31057 181	HEXAGON BOLT	2						
20	68036 101	WASHER	2						
21	11006 151	STAY C.P.(RL)	1						
22	11006 152	STAY C.P.(RR)	1						
23	342L 0612	FLANGE BOLT TAPPING	2						
24	31057 255	HEXAGON BOLT	2						
25	569L 0800	FLANGE NYLON NUT	2						
26	71122 112	ADJUSTER ASSY(L)	1						
27	11142 131	ADJUSTER(RL)	1						
28	945L 0349	BEARING	1						



PARTS LIST

46014-223

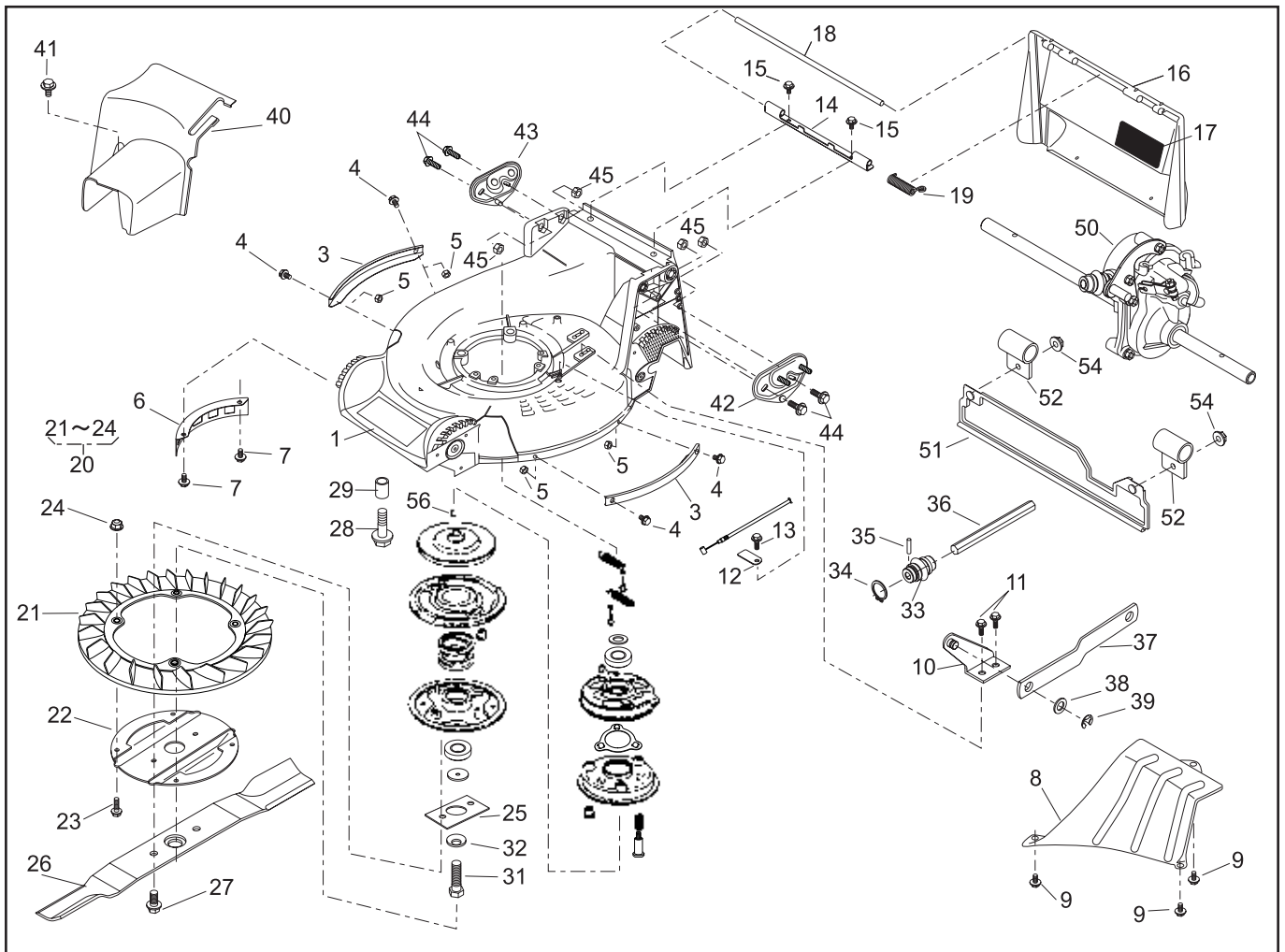
REF. No.	PARTS No.	PARTS NAME	WHEEL			2/2	RECOMM.(%) Lot.100	Feb.07,2005	REMARKS
			Q'TY	PRICE()					
29									
30	71122 113	ADJUSTER ASSY(R)	1						
31	11142 132	ADJUSTER(RR)	1						
32	945L 0349	BEARING	1						
33									
34	11150 105 09	ADJUST LEVER	2						
35	36061 121	KNOB	2						
36	613L 0800	WASHER	2						
37	569L 0800	FLANGE NYLON NUT	2						
38	71041 103	WHEEL ASSY	2						
39	91086 102	TIRE	2						
40	36107 102	WHEEL	2						
41	932L 0696	BEARING		4					
42	36070 110	CAP	2						
43	664V 0626	WAVE SPRING WASHER	2						
44	31057 181	HEXAGON BOLT	2						
45	68036 101	WASHER	2						
46									
47									
48									
49									
50									
51	11142 134	ADJUSTER(FL)	1						
52	11142 135	ADJUSTER(FR)	1						
53	11150 107 09	ADJUST LEVER	2						
54	36061 121	KNOB	2						
55	31057 260	HEXAGON BOLT	2						
56	569L 0800	FLANGE NYLON NUT	2						



PARTS LIST

46014-234

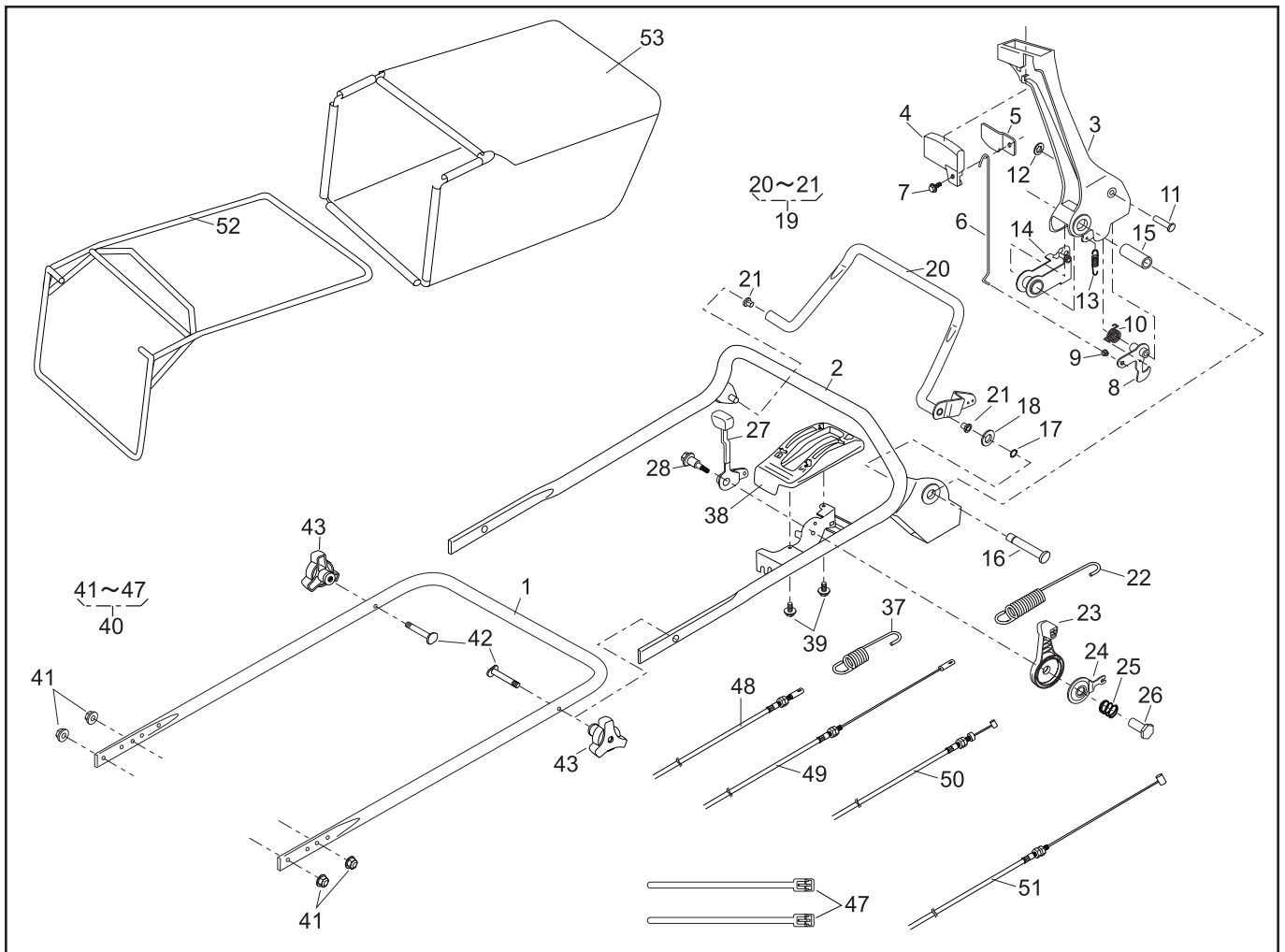
REF. No.	PARTS No.	PARTS NAME	GRASS-CUTTING			PRICE()	1/2	RECOMM.(%) Lot.100	Feb.09,2005	REMARKS
			Q'TY	INCLUDING						
1	51043 147 42	HOUSING	1							
2										
3	51090 117 09	PROTECTOR	2							
4	335L 0616	FLANGE BOLT	4							
5	512L 0600	HEXAGON NUT	4							
6	36065 180	COVER	1							
7	342L 0612	FLANGE BOLT TAPPING	2							
8	36065 436	COVER	1							
9	342L 0612	FLANGE BOLT TAPPING	3							
10	11006 155	STAY C.P.	1							
11	342L 0612	FLANGE BOLT TAPPING	2							
12	11113 407	STAY	1							
13	342L 0612	FLANGE BOLT TAPPING	1							
14	11113 292	STAY	1							
15	342L 0612	FLANGE BOLT TAPPING	2							
16	36068 196 46	GUARD	1							
17	36080 149	RUBBER SHEET	1							
18	64014 324	SHAFT	1							
19	68013 336	SPRING	1							
20	71082 111	FAN ASSY	1							
21	51125 103	FAN	1							
22	11102 151	HOLDER	1							
23	31062 169	PRE-COAT LOCK BOLT	4							
24	579L 0600	FLANGE NUT	4							
25	61024 208	SPACER	1							
26	91014 159 59	BLADE	1							
27	31057 197	HEXAGON BOLT	2							
28	31057 243	HEXAGON BOLT	4							



PARTS LIST

46014-234

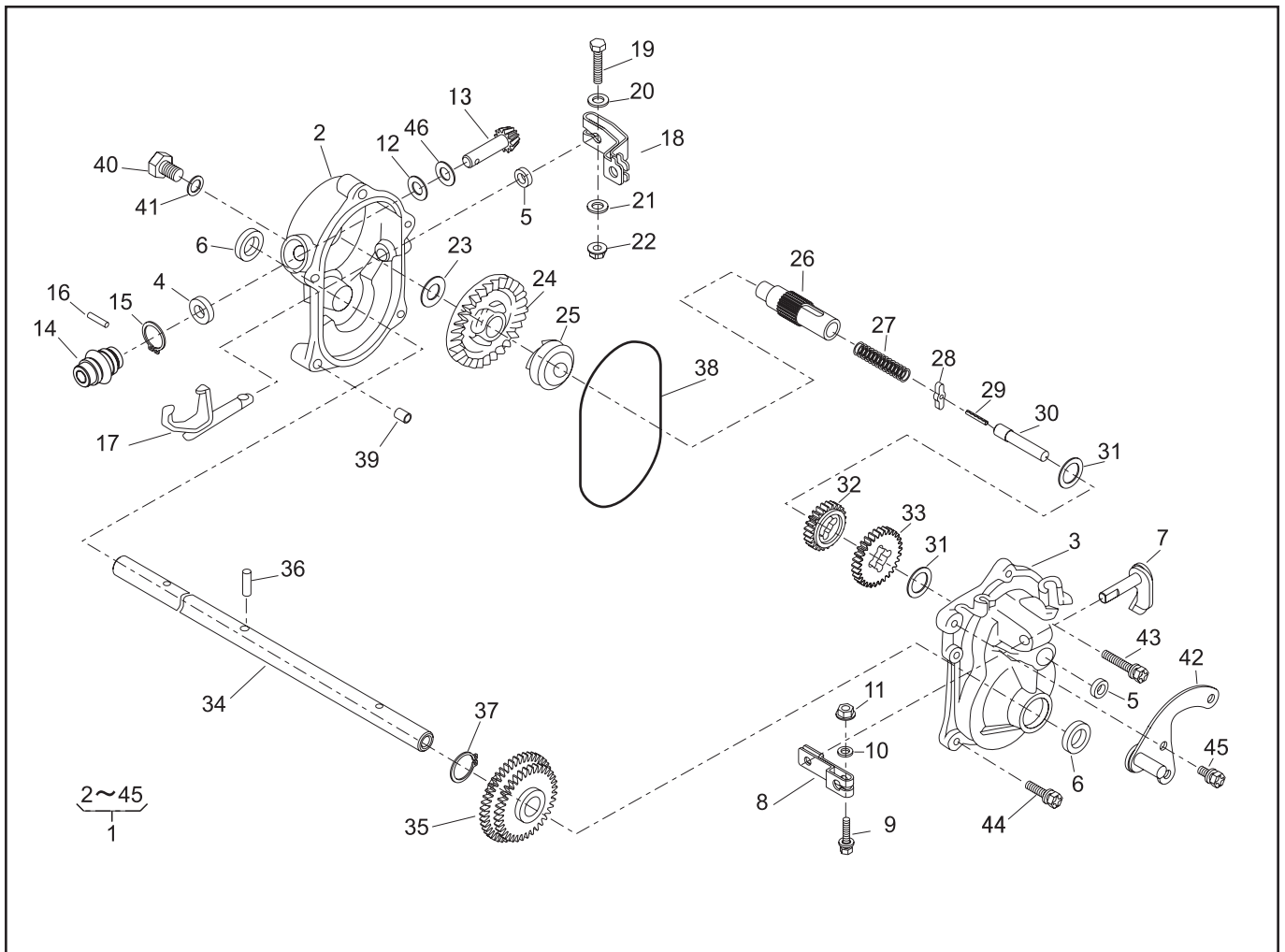
REF. No.	PARTS No.	PARTS NAME	GRASS-CUTTING		PRICE()	2/2	RECOMM.(%) Lot.100	Feb.09,2005	REMARKS
			Q'TY	INCLUDING					
29	61024 142	SPACER	3						
30	71067 106	BRAKE ASSY	1						
31	31057 196	HEXAGON BOLT	1						
32	671V 1000	CONICAL SPRING WASHER	1						
33	91097 101	UNIVERSAL JOINT	1						
34	812V 2000	C-SNAP RING FOR SHAFT		1					
35	717B 0418	PARALLEL PIN		1					
36	64014 358	SHAFT	1						
37	91049 132	CONNECTOR	1						
38	68036 280	WASHER	1						
39	816V 0800	E-SNAP RING	1						
40	36065 438	COVER	1						
41	342L 0616	FLANGE BOLT TAPPING	1						
42	51116 149	HANDLE BRACKET(L)	1						
43	51116 150	HANDLE BRACKET(R)	1						
44	31057 255	HEXAGON BOLT	4						
45	512L 0800	HEXAGON NUT	4						
46									
47									
48									
49									
50	71008 275	GEAR CASE ASSY	1						
51	36046 150	SAFETY GUARD	1						
52	11012 126	HANGER BAND	2						
53									
54	569L 0600	FLANGE NYLON NUT	2						
55	122039	ENGINE:HONDA GXV160H2-SFL1-R280	1						
56		WOOD RUFF KEY	1						



PARTS LIST

46014-250

REF. No.	PARTS No.	PARTS NAME	HANDLE			1/2	RECOMM.(%) Lot.100	Feb.08,2005	REMARKS
			Q'TY	PRICE()	INCLUDING				
1	51027 254	HANDLE	1						
2	51027 255	HANDLE	1						
3	11095 172	LEVER(BBC)	1						
4	36110 102	BUTTON	1						
5	11049 109	SLIDE PLATE	1						
6	64014 336	SHAFT	1						
7	335N 0612	FLANGE BOLT	1						
8	71203 135	ARM C.P.	1						
9	76007 183	BUSH	1						
10	68013 371	SPRING	1						
11	31056 127	GIB-HEADED PIN	1						
12	576V 0600	PUSH NUT	1						
13	68013 372	SPRING	1						
14	11109 111	LINK	1						
15	61023 190	SLEEVE	1						
16	64014 337	SHAFT	1						
17	812V 0800	C-SNAP RING FOR SHAFT	1						
18	613L 0800	WASHER	1						
19	71161 114 09	LEVER ASSY	1						
20		LEVER		1					
21	76007 131	BUSH		2					
22	68013 374	SPRING	1						
23	91010 169	THROTTLE LEVER(GXV120/GXV160)	1						
24	61003 113	THRUST PLATE	1						
25	68013 356	SPRING	1						
26	31058 168	NUT	1						
27	11095 117	LEVER	1						
28	31062 109	PRE-COAT LOCK BOLT	1						

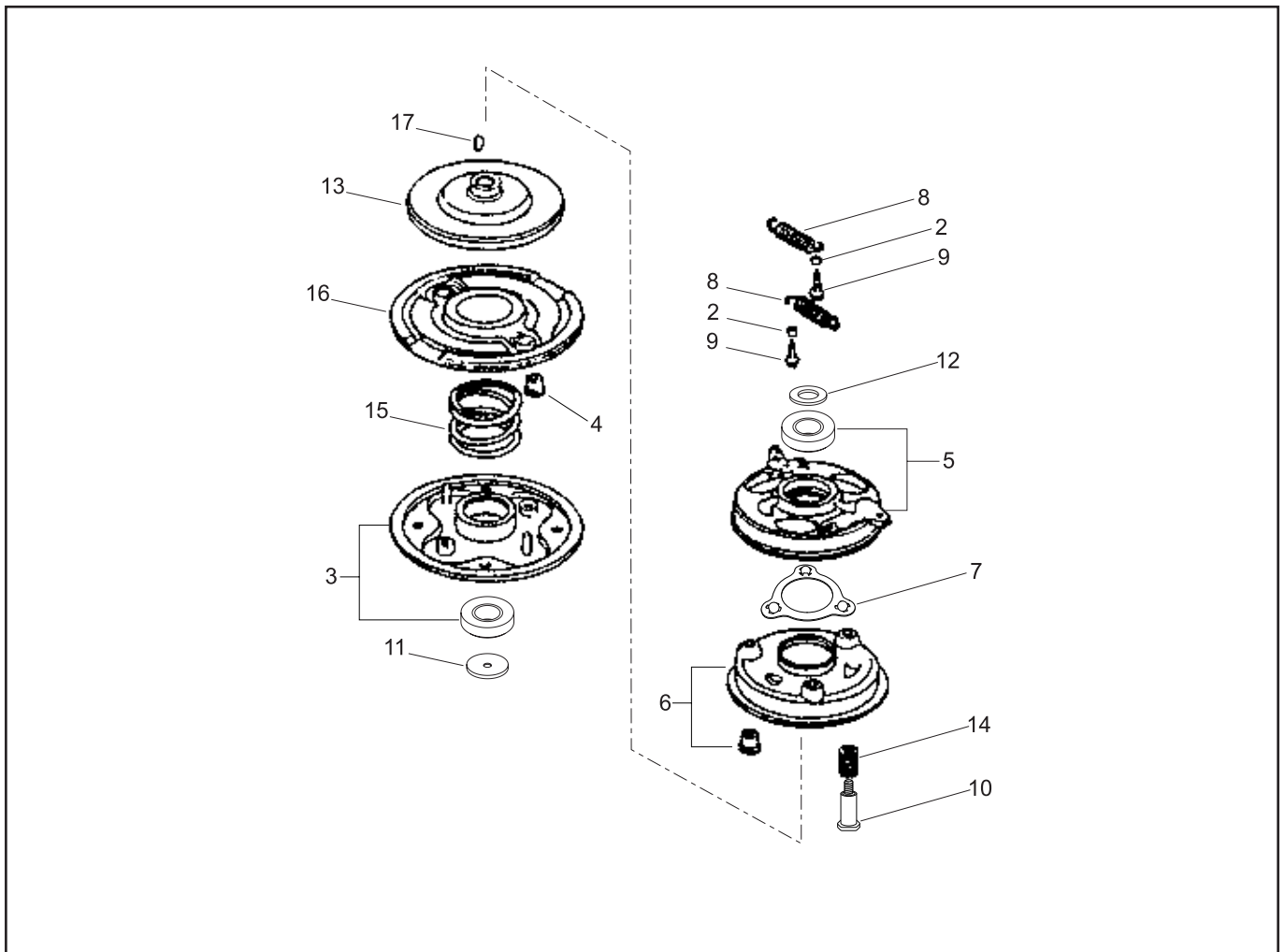


PARTS LIST

GEAR CASE ASSY (71008-275)

46014-262

REF. No.	PARTS No.	PARTS NAME	GEAR CASE			1/2		Feb.07,2005
			Q'TY INCLUDING	PRICE()	RECOMM.(%) Lot.100	REMARKS		
1	71008 275	GEAR CASE ASSY	1			-		
2	51001 195	GEAR CASE	1			3		
3	51001 196	GEAR CASE	1			3		
4	61002 161	OIL SEAL	1			5	SD 10 20 5	
5	61002 162	OIL SEAL	2			5	SD 8 14 4	
6	61002 163	OIL SEAL	2			5	SD 15 24 5	
7	64024 104	THIFTER SHAFT	1			3		
8	11104 119	ARM	1			3		
9	320L 0525	HEXAGON BOLT(PW)	1			3	M5 × 25	
10	611L 0500	PLAIN WASHER	1			3	M5	
11	571L 0500	FLANGE NUT	1			3	M5	
12	61003 109	THRUST PLATE	1			5		
13	78003 130	PINION	1			3		
14	91097 101	UNIVERSAL JOINT	1			3		
15	812V 2000	C-SNAP RING FOR SHAFT		1		1	φ 20	
16	717B 0418	PARALLEL PIN		1		3	φ 4 × 18	
17	11097 106	SHIFTER FORK	1			3		
18	11104 137	ARM	1			3		
19	311M 0630	(+)HEXAGON BOLT	1			3	M6 × 30	
20	611L 0600	PLAIN WASHER	1			3	M6	
21	613L 0600	PLAIN WASHER	1			3	M6	
22	571L 0600	FLANGE NUT	1			3	M6	
23	61024 117	SPACER	1			5		
24	78001 162	BEVEL GEAR	1			3		
25	11129 107	CLUTCH	1			3		
26	64014 236	SHAFT	1			3		
27	68013 262	SPRING	1			3		



PARTS LIST

BRAKE ASSY (71067-106)

46014-266

REF. No.	PARTS No.	PARTS NAME	BBC			1/1	Feb.09,2005
			Q'TY INCLUDING	PRICE()	RECOMM.(%) Lot.100	REMARKS	
1	71067 106	BRAKE ASSY	1			-	
2	19512 883 000	FAN COLLAR	2			-	
3	72600 VA4 010	BLADE HOLDER ASSY	1			3	
4	72613 VA4 000	BLADE HOLDER BUSH	2			5	
5	75090 VA4 030	BALL CONTROL PLATE	1			10	
6	75100 VA4 010	BRAKE C.P.	1			3	
7	75110 VA4 000	BALL RETAINER C.P.	1			10	
8	75182 VA3 J00	CLUTCH RETURN SPRING	2			5	
9	90014 952 000	FLANGE BOLT	4			3	
10	90021 VA4 000	SPECIAL BOLT	3			3	
11	90409 952 000	WASHER	1			3	
12	90501 952 010	THRUST WASHER	1			3	
13	75130 VA4 000	DRIVE DISK	1			3	
14	75132 VA4 000	BRAKE HOLDER SPRING	3			5	
15	75183 VA3 J00	CLUTCH SPRING	1			3	
16	75150 VA3 J01	DRIVEN DISK C.P.	1			3	
17	94401 16150	WOOD RUFF KEY	1			15	
18							
19							
20							
21							
22							
23							
24							
25							
26							
27							
28							